

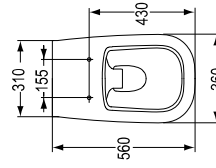
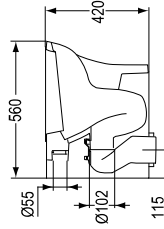
WCs

Chelsea back-to-wall

Chelsea is an extensive range of ceramic pieces, designed by Franco Bertoli.

ARMITAGE SHANKS

- Domestic and commercial use
- Part of extensive Chelsea range
- Luxury aesthetics
- Modern design
- Water efficient



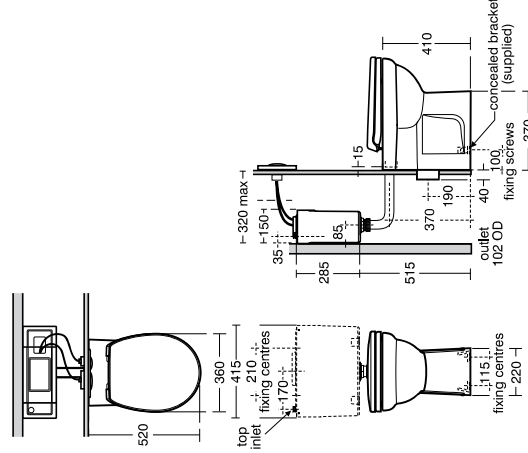
1 : 2 : 2 : 2

1 : 2 : 2 : 3

WCs

Contour 21 back-to-wall standard height

This rimless washdown WC pan is extremely versatile and can be used in hotel, prison, school and public building installations as well as domestic applications. Its robust design and construction means that it is appropriate for some anti-vandal use.



1 : 2 : 2 : 2

1 : 2 : 2 : 3

WCs

ARMITAGE SHANKS

- Commercial and domestic use
- Rimless horizontal outlet WC
- Concealed top fixing seats
- Suitable for ducts
- Water efficient

Illustrated

- S3056** Contour 21 back to wall rimless standard height WC pan with horizontal outlet
- S3643** Conceala 2 cistern 4,5/3 or 4/2.6 litre dual flush valve side supply and internal overflow, alternative height, plastic flushbends
- S4066** Contour 21 seat no cover, top fixing hinges and retaining buffers
- S4504** Contemporary flush plate dual flush, Armitage Shanks logo, stainless steel for Conceala 2 cisterns

Material
Vitreous China

Weight
WC pan 19.6kg, Cistern 3.0kg

Colours
Available in White (01)
Seats available in White (01) Blue (36) Grey (L) Charcoal (RN)

Standards

Vitreous china to BS 3402. WC pan to BS EN 997 and BS EN 33

Options

- S3640** Conceala 2 cistern 4.5 litre single flush valve side supply and internal overflow, alternative height plastic flushbends
- S3617** Conceala 2 cistern 6 or 4.5 litre single flush syphon side supply and internal overflow plastic flushband, long CP lever
- S4065** Contour 21 seat and cover, top fixing hinges
- S4512** Finger push button pneumatic, stainless steel for 31mm maximum thickness partition
- S4305** Panekta outlet connector, finned pattern to convert horizontal outlet WCs to P trap
- S4300** Panekta outlet connector, finned pattern to convert horizontal outlet WCs to S or turned P trap

Special notes

- WC pan screwed to floor using concealed brackets (supplied)
- Joint to wall sealed with waterproof sealant (not supplied). Cistern should be raised to 617mm from floor to underside of cistern

